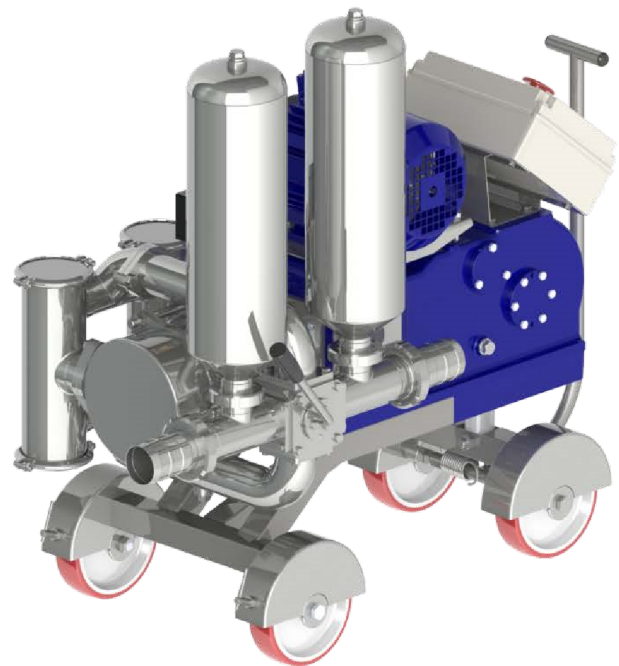


Piston Pumps Series 600

APPLICATION:

Transport of liquids with a wide range of contents and viscosities (grape mash, wine, vinegar, sediment). The pumps are self-priming up to 7 meters below their own level. There is a possibility for inlet/outlet. They are supplied with a device protecting from overloading of outlet pressure.

The pumps are made with stainless steel corpus components.



STANDARD EQUIPMENT:

Mobile piston pump. Equipped with two speed electric motors. Speed regulation: 1st or 2nd speed
Pressure switch - protects the outlet pressure from overloading

Reverse Valve - possibility of reversing on the inlet/
outlet

Material AISI 304/ NBR

Standard Inlet / Outlet: male union joints DIN 11851

OPTIONS:

***Ex-modification** (with explosion proof single speed el. Motor without starter)

***Inverter/Frequency control** – Electrical variable speed

***RC - Remote control (Full control) - Possible option only if the pump is completed with Inverter**

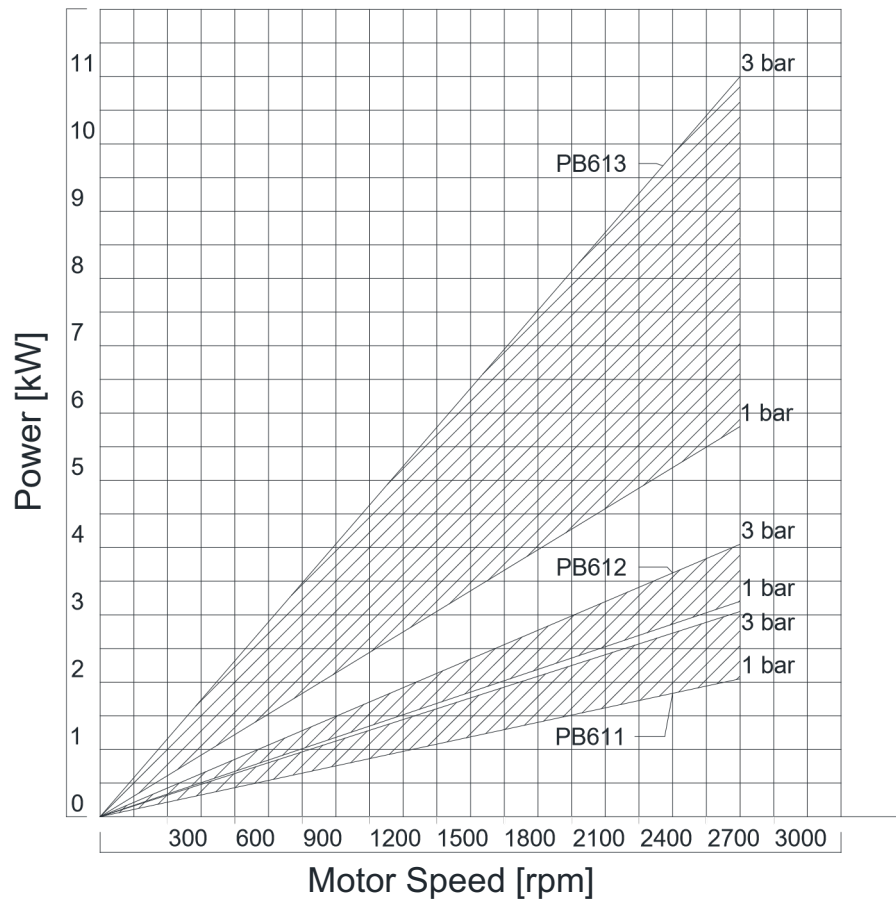
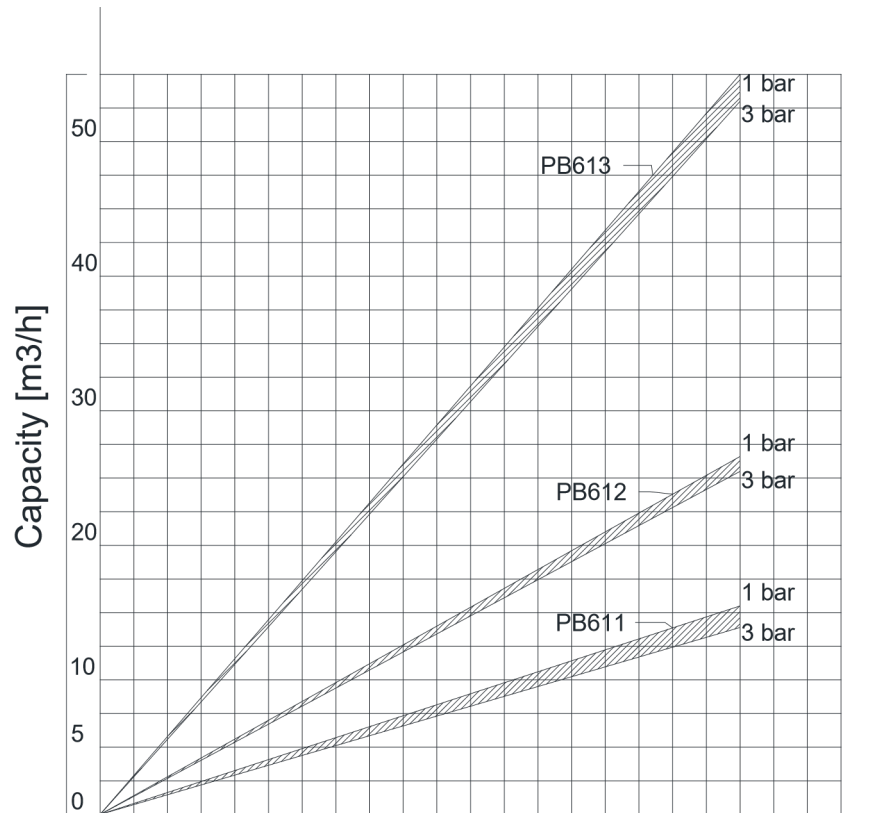
Material AISI 316

Connection: Garolla, SMS, Macon, Clamp, etc.

***Other Options on Request**

Technical Parameters								
Model	Capacity	Nominal Pressure	Electric Motor		Connection	Temperature	Viscosity	Weight
			kW	RPM				
PB611	7/ 14 m ³ /h	3.0 bar	2.4/ 3.0	1420/ 2855	male union joints DIN 11851	+2 ÷ +85°C	up to 150 Pa.s	140 kg
PB612	13/ 25 m ³ /h		3.2/ 4.0	1425/ 2845				210 kg
PB613	25/ 50 m ³ /h		9.5/ 11.0	1425/ 2980				440 kg

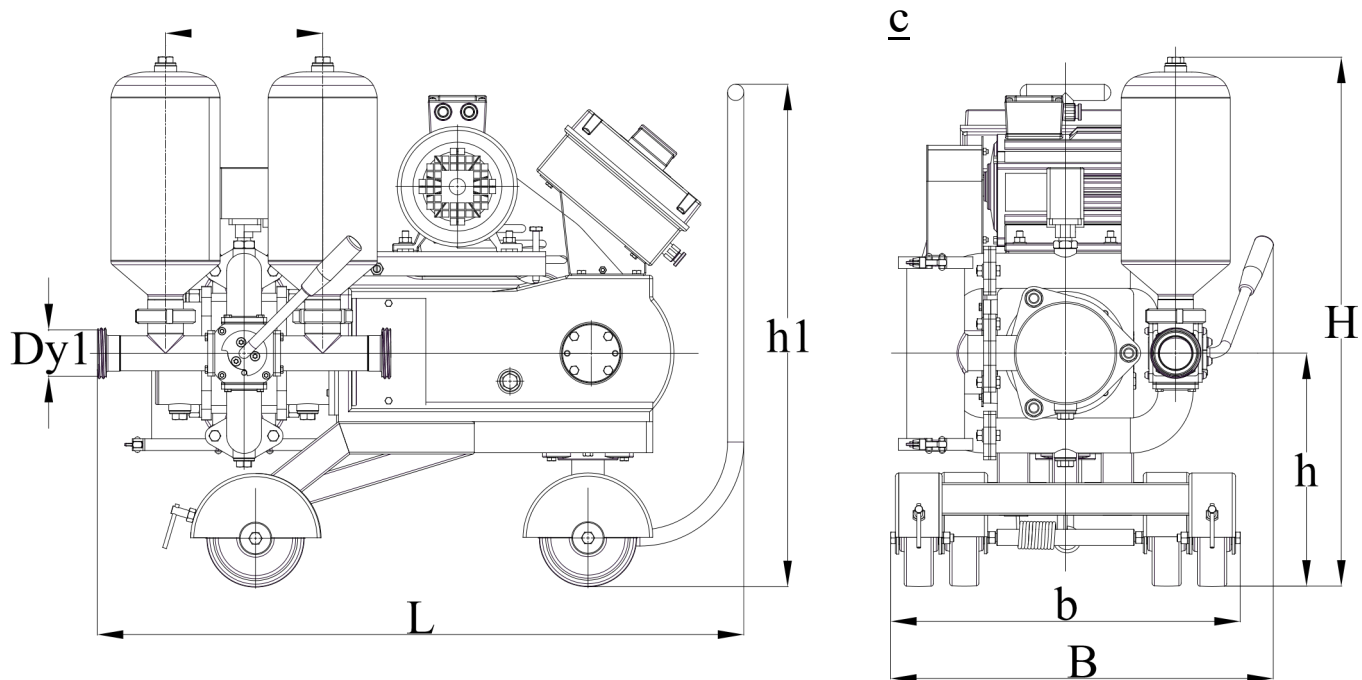
Characteristic Curves of the Piston Pumps Series 600



*with fluid – water at temperature 20 °C.

*with pipes equal with pump's connections.

Dimensions of the Piston Pumps Series 600



Dimensions, mm								
Model	Dy1	Dy2	L	B	H	h	h1	C
PB611	50	50	1000	590	810	365	780	240
PB612	65	65	1145	680	1110	440	800	280
PB613	80	80	1350	820	1180	465	785	330