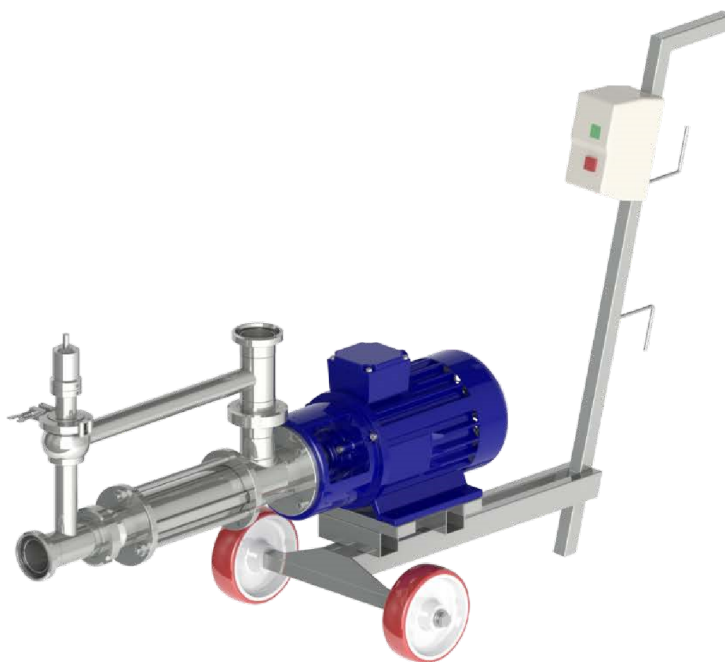


Screw Pumps Series 300 Models PV300K

APPLICATION:

These pumps have the ability of a delicate straight-streaming transport of a wide range of liquids with or without solid fragments with viscosity up to 150 Pa.s. These pumps suck from depth up to 6 meters under their own level. Their constructions allow reversible depending on the direction of the electric motor.



STANDARD EQUIPMENT:

Block pump – directly joined to the shaft of the electric motor. On trolley with starter

Material AISI 304/ EPDM

Standard Inlet / Outlet: male union joints DIN 11851

***D-modification (Double step)**

OPTIONS:

***T-modification** (with double wall for cooling/heating)

***V-modification** (Double mechanical sealing)

***K-modification** (mounted on a trolley with Starter)

***B-modification** (By-pass with safety overflow valve)

***Mr-modification** (Gear-motor)

***Mv-modification** (Variable-speed drive)

Material AISI 316

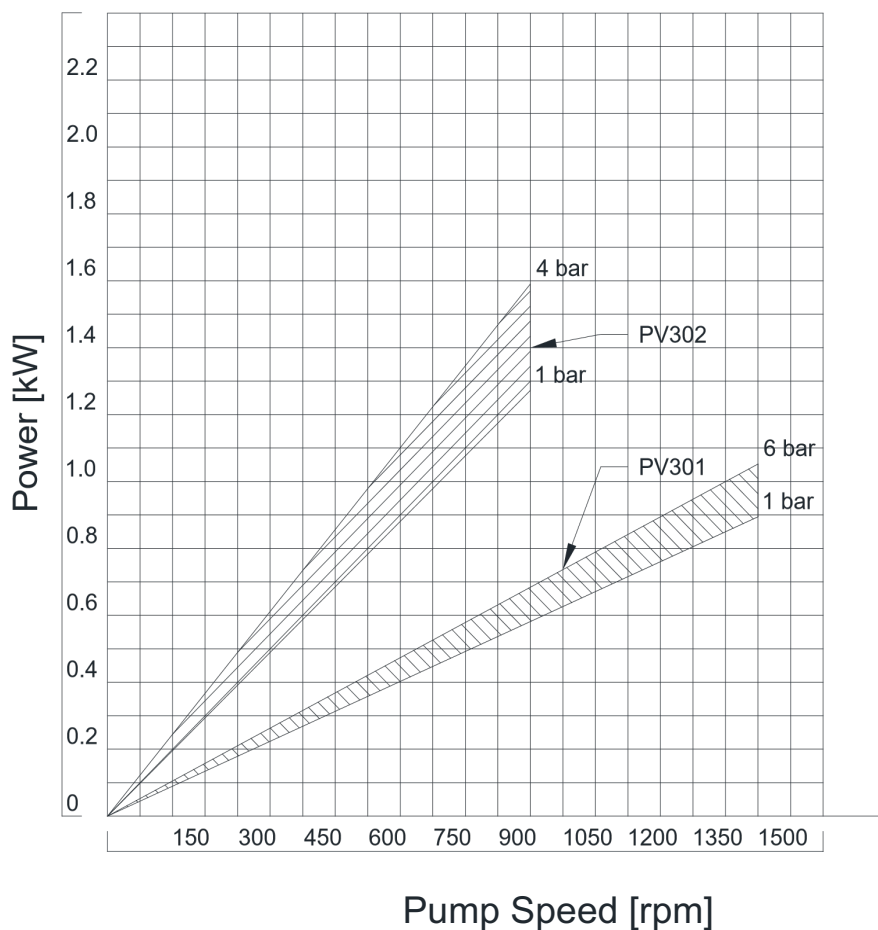
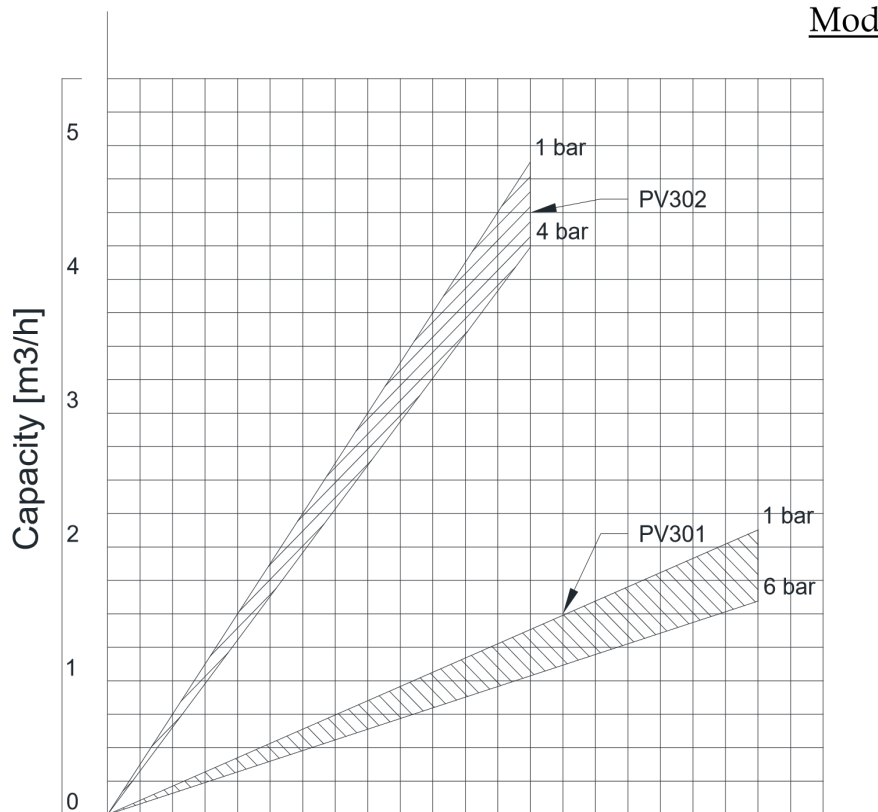
Connection: Garolla, SMS, Macon, Clamp, etc.

***Other Options on Request**

Technical Parameters								
Model	Capacity	Nominal Pressure	Electric Motor		Connection	Temperature	Viscosity	Weight
			kW	RPM				
PV301K	1.0 m ³ /h	4.0 bar	1.10	925	male union joints DIN 11851	+2 ÷ +85°C	up to 150 Pa.s	28 kg
PV301K	1.5 m ³ /h		1.10	1420				28 kg
PV302K	4.0 m ³ /h		1.50	920				45 kg

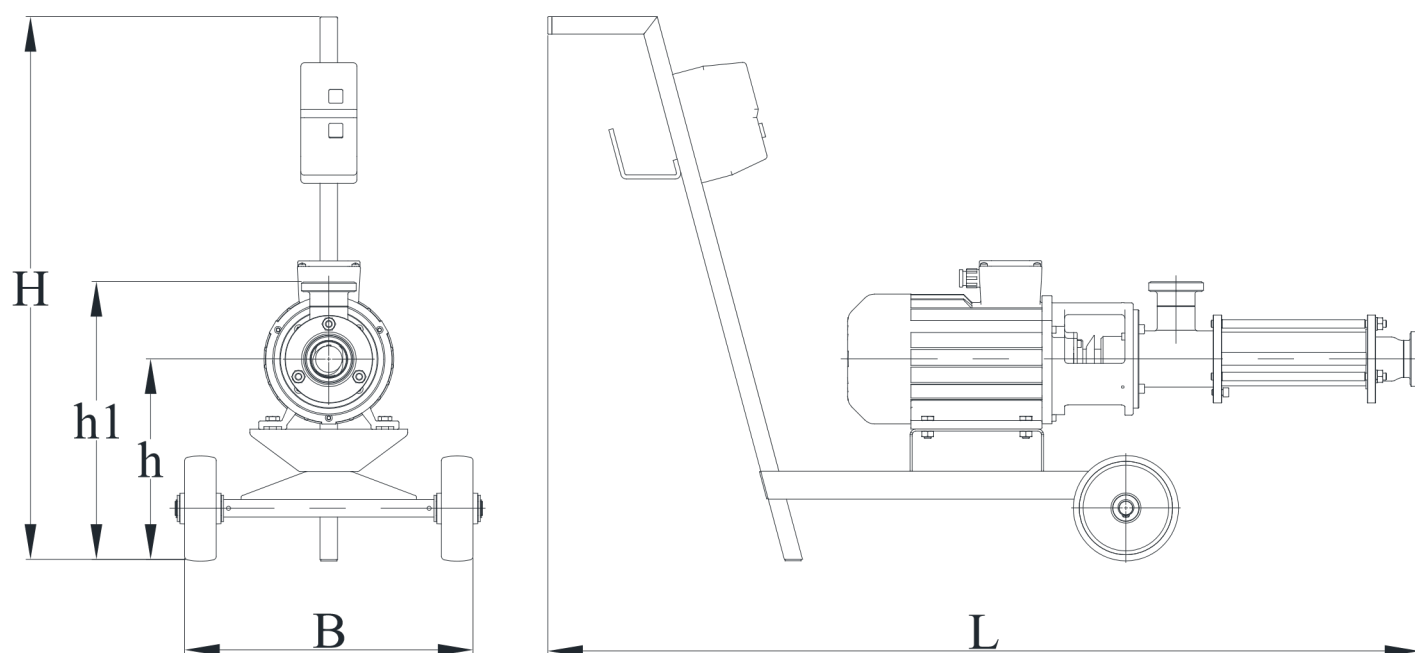
Characteristic Curves of the Screw Pumps Series 300

Models PV300



*with fluid – water at temperature 20 °C.
*with pipes equal with pump's connections.

Dimensions of the Screw Pumps Series 300
Models PV300K



Dimensions, mm							
Model	Dy1	Dy2	L	B	H	h	h1
PV301K	40	40	1000	400	775	260	355
PV302K	50	50	1245	440	775	290	395