

# Stalks Cutter Machines Series 900 Models DR900

## APPLICATION:

The 900 series grape stalks cutters are designed to reduce the volume of grape stalks left over from the process of destemming in the production of wine and wine products. In addition to a significant reduction in volume, the treatment helps to decompose the already shredded stalks faster.



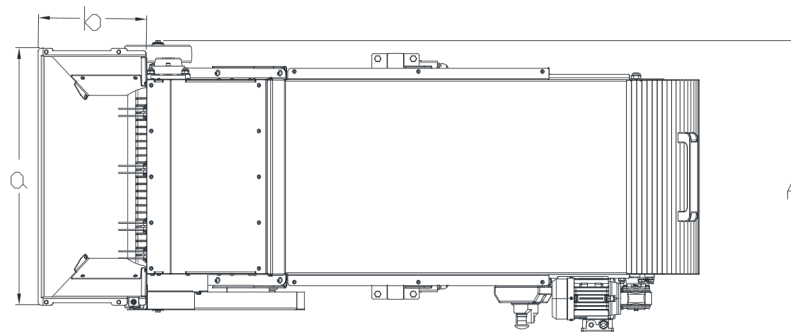
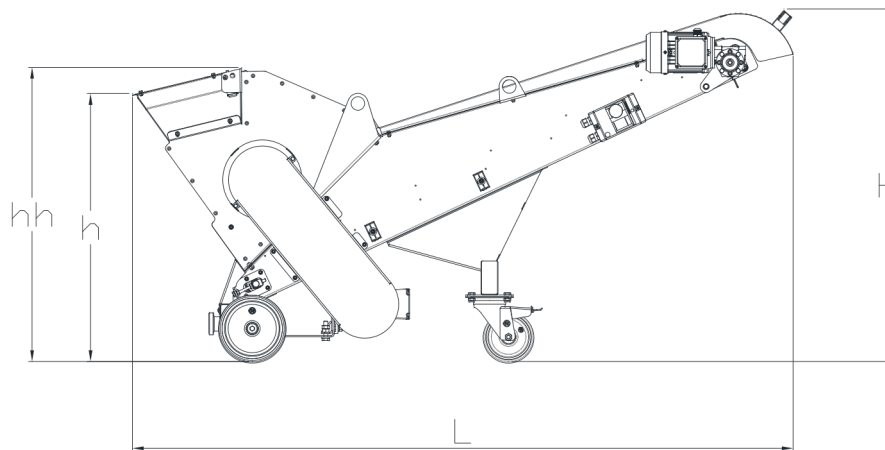
## STANDARD EQUIPMENT:

Mobile stalks cutter  
Separate motors protections  
Material AISI 304, HARDOX

## OPTIONS:

**Hopper extension**  
**\*Other Options on Request**

## Dimensions of the Unitech Stalks Cutter Machines Series 900



Model	Technical Characteristics		Dimensions, mm							Weight	Sound Level
	Inst. power	Rotor rpm	L	H	A	h	hh	a	b		
DR913	3,18 kW	2950 rpm	2050	1040	870	790	870	710	310	210 kg	≤ 95 dB (A)