

# Peristaltic Pumps Series 700 Models PP710

## APPLICATION:

Transport of fluids with a wide range of contents and viscosities (grape mash, wine, sediment). The pumps are self-priming – up to 7 meters below their own level.

They are supplied with a reception hopper with screw device and a pressure switch protecting from overloading of outlet pressure.

The pumps are made with stainless steel corpus components.



## STANDARD EQUIPMENT:

Mobile peristaltic pump model PP700 with reception hopper 0.1 m<sup>3</sup> driven by mechanical variable speed (without modification D) and starter with revers.

Two compensational chambers

Pressure switch - protects the outlet pressure from overloading.

Material AISI 304/ NR

Standard Inlet / Outlet: male union joints DIN 11851

## OPTIONS:

**\*Hopper extension on Request**

**\*Lc – Level control min/ max hopper level \*B-modification (By-pass with safety overflow valve)**

**\*D-modification:** Mobile peristaltic pump equipped with Reception tank with crusher and powerful gear- drive. Suitable for transferring semi- dry fluids (like fermented grape)

**\*3 role rotor \*RC - Remote control (Full control)**

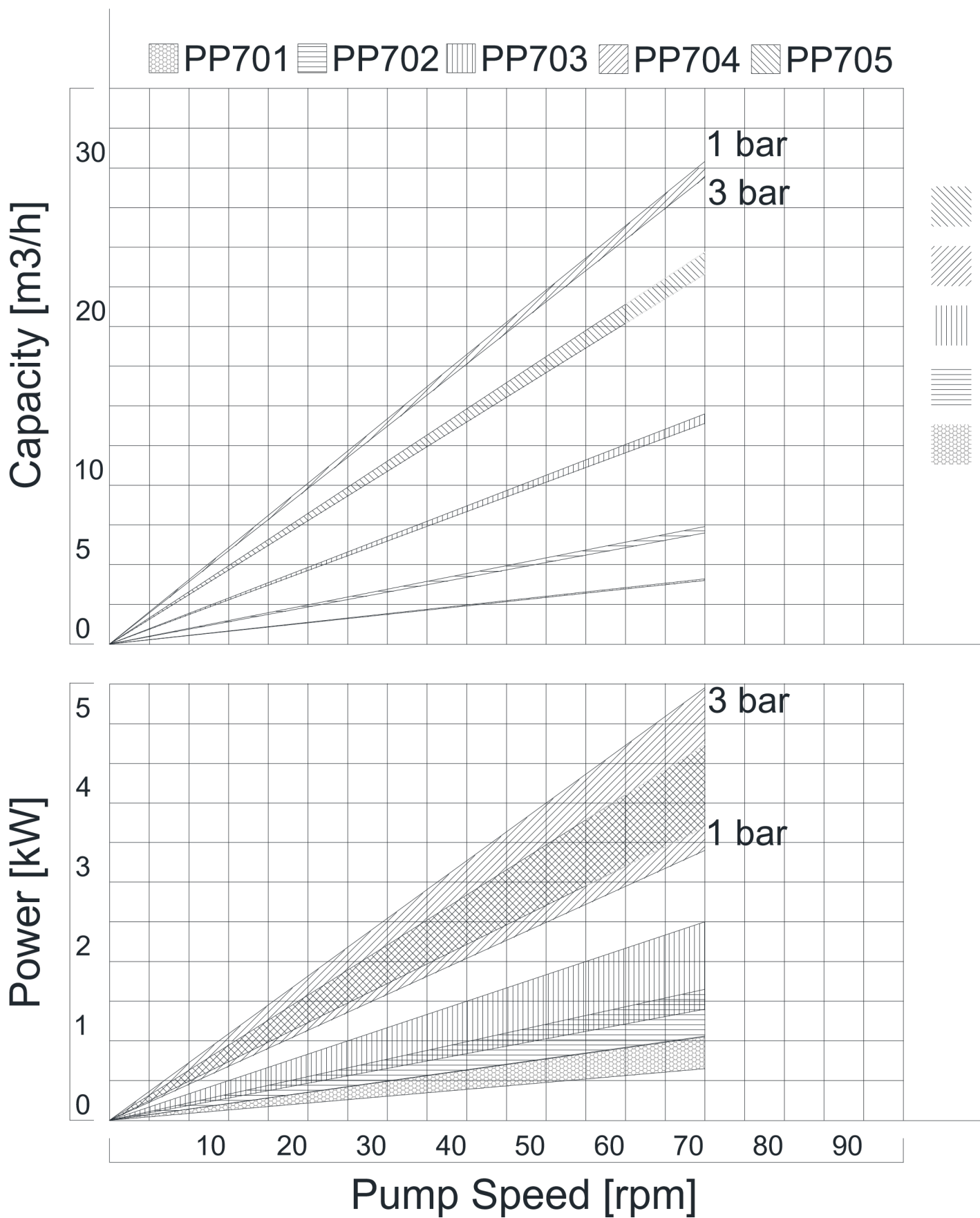
Hose Material: NBR, EPDM

Connection: Garolla, SMS, Macon, Clamp, etc.

**\*Other Options on Request**

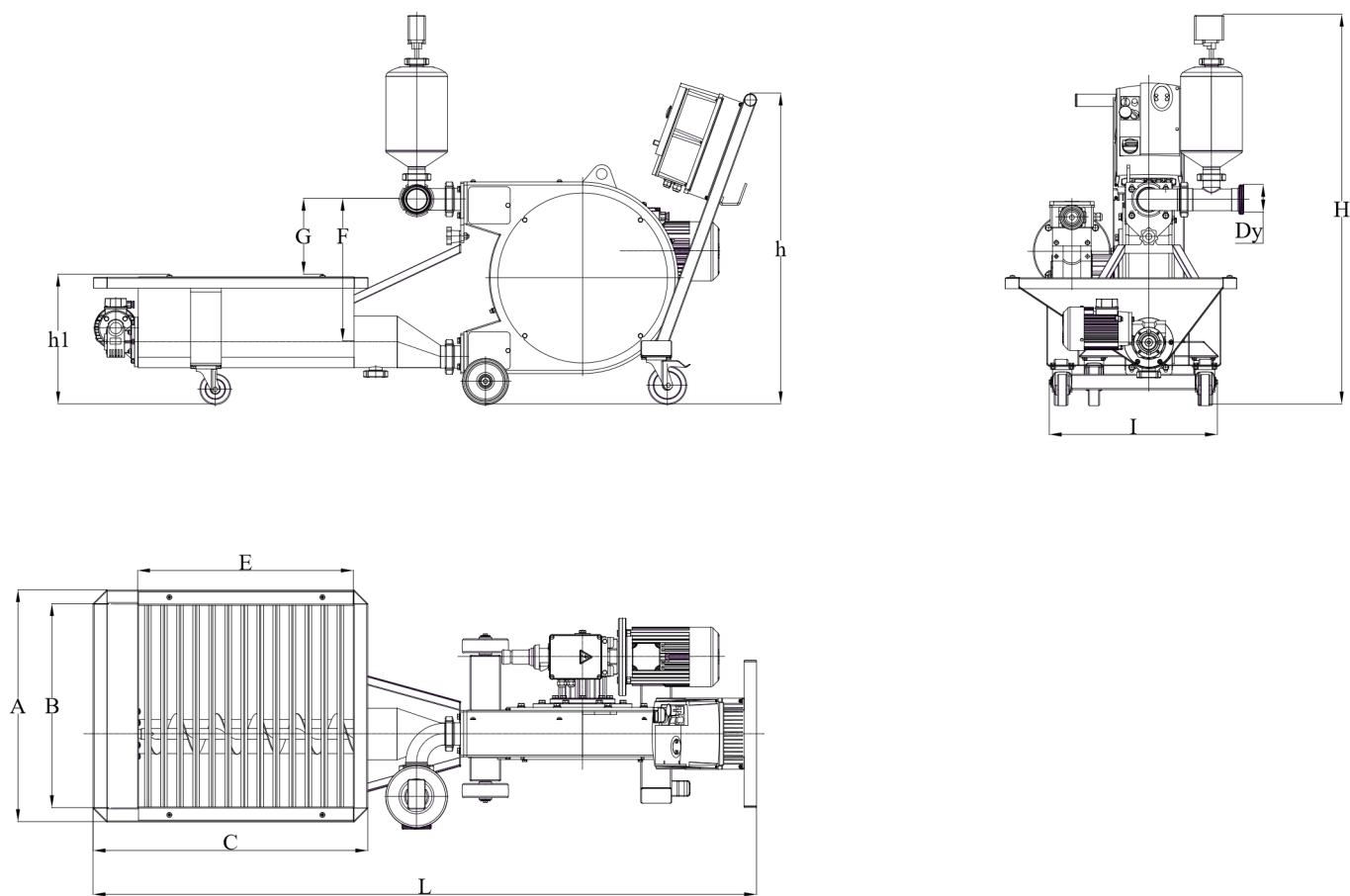
Technical Parameters							
Model	Capacity	Nominal Pressure	Rotor's RPM	Electric Motors	Temperature	Viscosity	Weight
PP712	up to 7 m <sup>3</sup> /h	3.0 bar	10 ÷ 75	1,5 kW/ 0,55kW	+2 ÷ +85°C	up to 150 Pa.s	175 kg
PP713	up to 12 m <sup>3</sup> /h			3,0 kW/ 0,55kW			250 kg
PP715	up to 20 m <sup>3</sup> /h		10 ÷ 60	4,0 kW/ 0,55kW			355 kg
PP714	up to 26 m <sup>3</sup> /h		10 ÷ 75	5,5 kW/ 0,55kW			395 kg

## Characteristic Curves of the Peristaltic Pumps Series 700



\*with fluid – water at temperature 20 °C.  
 \*with pipes equal with pump's connections.

## Dimensions of the Peristaltic Pumps Series 700 Models PP710



Dimensions, mm												
Model	Dy	L	H	h	h1	l	A	B	C	E	F	G
PP712	50	2025	1045	1005	420	460	750	660	890	670	345	120
PP713	65	2150	1275	1000	420	465	750	660	890	670	460	245
PP715	80	2265	1455	1000	450	650	750	660	890	670	590	370
PP714	80	2370	1500	1000	450	650	750	660	890	670	614	415